

**PLEASE CHECK WWW.MOLEX.COM FOR LATEST PART INFORMATION**

**Part Number:** [0901301222](#)  
**Status:** **Active**  
**Overview:** [cgrid\\_iii](#)  
**Description:** 2.54mm (.100") Pitch C-Grid III™ Header, Dual Row, Vertical, Shrouded, Fully Loaded, 22 Circuits, Black, 0.38µm (15µ") Gold (Au) Selective Plating

**Documents:**

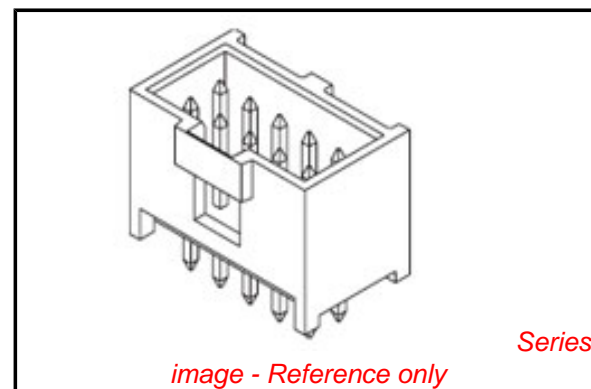
[3D Model](#) [RoHS Certificate of Compliance \(PDF\)](#)  
[Drawing \(PDF\)](#)

**General**

Product Family	PCB Headers
Series	<a href="#">90130</a>
Application	Wire-to-Board
Overview	<a href="#">cgrid_iii</a>
Product Name	C-Grid III™

**Physical**

Breakaway	No
Circuits (Loaded)	22
Circuits (maximum)	22
Color - Resin	Black
Durability (mating cycles max)	100
First Mate / Last Break	No
Glow-Wire Compliant	No
Guide to Mating Part	No
Keying to Mating Part	None
Lock to Mating Part	Yes
Material - Metal	Brass
Material - Plating Mating	Gold
Material - Plating Termination	Tin
Material - Resin	Polyester
Number of Rows	2
Orientation	Vertical
PC Tail Length (in)	0.114 In
PC Tail Length (mm)	2.90 mm
PCB Locator	No
PCB Retention	None
PCB Thickness Recommended (in)	0.063 In
PCB Thickness Recommended (mm)	1.60 mm
Packaging Type	Tray
Pitch - Mating Interface (in)	0.100 In
Pitch - Mating Interface (mm)	2.54 mm
Pitch - Term. Interface (in)	0.100 In
Pitch - Term. Interface (mm)	2.54 mm
Plating min: Mating (µin)	15.2
Plating min: Mating (µm)	0.38
Plating min: Termination (µin)	120
Plating min: Termination (µm)	3
Polarized to Mating Part	Yes
Polarized to PCB	No
Shrouded	Closed Ends
Stackable	No
Surface Mount Compatible (SMC)	No
Temperature Range - Operating	-55°C to +125°C
Termination Interface: Style	Through Hole



**EU RoHS**

**ELV and RoHS  
Compliant**  
**REACH SVHC  
Contains SVHC: No**  
**Halogen-Free  
Status**

**China RoHS**



**Not Reviewed**

**Need more information on product  
environmental compliance?**

Email [productcompliance@molex.com](mailto:productcompliance@molex.com)  
 For a multiple part number RoHS Certificate of  
 Compliance, [click here](#)

Please visit the [Contact Us](#) section for any  
 non-product compliance questions.

**Search Parts in this Series**

[90130Series](#)

**Mates With**

[90142 C-Grid III™ Crimp Housing](#)

**Electrical**

Current - Maximum per Contact 3A  
Voltage - Maximum 350V AC/DC

**Solder Process Data**

Duration at Max. Process Temperature (seconds) 10  
Lead-free Process Capability Wave Capable (TH only)  
Max. Cycles at Max. Process Temperature 1  
Process Temperature max. C 260

**Material Info****Reference - Drawing Numbers**

Packaging Specification PK-90130-001, PK-91814-005  
Sales Drawing SDA-90130

This document was generated on 05/25/2010

**PLEASE CHECK [WWW.MOLEX.COM](http://WWW.MOLEX.COM) FOR LATEST PART INFORMATION**

# VERSION FULLY LOADED



- NOTES
- MATERIAL:-
    - PIN:- (0.635)/.025 SQ. BRASS WIRE.
    - HOUSING:- 15% GLASS FILLED POLYESTER
    - UL 94 V-0 COLOUR BLACK
  - FOR PLATING VERSIONS AND VOID VERSIONS SEE SHEET 2.
  - MEASUREMENT POINT FOR MINIMUM PLATING THICKNESS.
  - FOR PRODUCT SPEC SEE PS-99020-0001
  - RECOMMENDED PCB THICKNESS: 1.6mm



No. OF CKTS	DIM A	DIM B	DIM C
6	( 5.08 ) / .200	( 9.96 ) / .392	( 8.12 ) / .320
8	( 7.62 ) / .300	( 12.50 ) / .492	( 10.66 ) / .420
10	( 10.16 ) / .400	( 15.04 ) / .592	( 13.20 ) / .520
12	( 12.70 ) / .500	( 17.58 ) / .692	( 15.74 ) / .620
14	( 15.24 ) / .600	( 20.12 ) / .792	( 18.28 ) / .720
16	( 17.78 ) / .700	( 22.66 ) / .892	( 20.82 ) / .820
18	( 20.32 ) / .800	( 25.20 ) / .992	( 23.36 ) / .920
20	( 22.86 ) / .900	( 27.74 ) / 1.092	( 25.90 ) / 1.020
22	( 25.40 ) / 1.000	( 30.28 ) / 1.192	( 28.44 ) / 1.120
24	( 27.94 ) / 1.100	( 32.82 ) / 1.292	( 30.98 ) / 1.220
26	( 30.48 ) / 1.200	( 35.36 ) / 1.392	( 33.52 ) / 1.320
28	( 33.02 ) / 1.300	( 37.90 ) / 1.492	( 36.06 ) / 1.420
30	( 35.56 ) / 1.400	( 40.44 ) / 1.592	( 38.60 ) / 1.520
32	( 38.10 ) / 1.500	( 42.98 ) / 1.692	( 41.15 ) / 1.620
34	( 40.64 ) / 1.600	( 45.52 ) / 1.792	( 43.68 ) / 1.720
36	( 43.18 ) / 1.700	( 48.06 ) / 1.892	( 46.22 ) / 1.820
38	( 45.72 ) / 1.800	( 50.60 ) / 1.992	( 48.76 ) / 1.920
40	( 48.26 ) / 1.900	( 53.14 ) / 2.092	( 51.30 ) / 2.020
42	( 50.80 ) / 2.000	( 55.68 ) / 2.192	( 53.84 ) / 2.120
44	( 53.34 ) / 2.100	( 58.22 ) / 2.292	( 56.38 ) / 2.220
46	( 55.88 ) / 2.200	( 60.76 ) / 2.392	( 58.92 ) / 2.320
48	( 58.42 ) / 2.300	( 63.30 ) / 2.492	( 61.46 ) / 2.420
50	( 60.96 ) / 2.400	( 65.84 ) / 2.592	( 64.00 ) / 2.520
52	( 63.50 ) / 2.500	( 68.38 ) / 2.692	( 66.54 ) / 2.620
54	( 66.04 ) / 2.600	( 70.92 ) / 2.792	( 69.08 ) / 2.720
56	( 68.58 ) / 2.700	( 73.46 ) / 2.892	( 71.62 ) / 2.820
58	( 71.12 ) / 2.800	( 76.00 ) / 2.992	( 74.16 ) / 2.920
60	( 73.66 ) / 2.900	( 78.54 ) / 3.092	( 76.70 ) / 3.020
62	( 76.20 ) / 3.000	( 81.08 ) / 3.192	( 79.24 ) / 3.120
64	( 78.74 ) / 3.100	( 83.62 ) / 3.292	( 81.78 ) / 3.220
66	( 81.28 ) / 3.200	( 86.16 ) / 3.392	( 84.32 ) / 3.320
68	( 83.82 ) / 3.300	( 88.70 ) / 3.492	( 86.86 ) / 3.420

<b>RE-POSITION DIM B</b> EC NO: S2010-0811 DRWNSKANG 2010/03/25 CHKD:ATSEE 2010/03/31 APPR:MLONG 2010/03/31	QUALITY SYMBOLS	GENERAL TOLERANCES (UNLESS SPECIFIED)		DIMENSION STYLE	SCALE	DESIGN UNITS	THIRD ANGLE PROJECTION	
	$F_A = 0$ $F_B = 0$ $F_C = 0$	mm INCH 4 PLACES ± --- ± --- 3 PLACES ± --- ± .004 2 PLACES ± 0.10 ± --- 1 PLACE ± --- ± --- ANGULAR ± 1/2°	MM/IN	NTS	METRIC	DRAWN BY: KS DATE: 1988/08/23 CHECKED BY: ATSEE DATE: 2010/02/11 APPROVED BY: MLONG DATE: 2010/02/19		C-GRID III DUAL ROW STRAIGHT SHROUDED HEADER MOLEX INCORPORATED
	REVISION: B1	DRAFT WHERE APPLICABLE MUST REMAIN WITHIN DIMENSIONS	MATERIAL NO. SEE TABLE	DOCUMENT NO. SDA-90130	SHEET NO. 1 OF 4			
	THIS DRAWING CONTAINS INFORMATION THAT IS PROPRIETARY TO MOLEX INCORPORATED AND SHOULD NOT BE USED WITHOUT WRITTEN PERMISSION							

NO OF CKTS	HSG CKT SIZE	PART NUMBER		
		PLATING TYPE A	PLATING TYPE E	PLATING TYPE F
F 6	6	90130-X106	90130-X206	90130-X306
8	8	X108	X208	X308
10	10	X110	X210	X310
12	12	X112	X212	X312
14	14	X114	X214	X314
16	16	X116	X216	X316
18	18	X118	X218	X318
20	20	X120	X220	X320
E 22	22	X122	X222	X322
24	24	X124	X224	X324
26	26	X126	X226	X326
28	28	X128	X228	X328
30	30	X130	X230	X330
32	32	X132	X232	X332
34	34	X134	X234	X334
36	36	X136	X236	X336
D 38	38	X138	X238	X338
40	40	X140	X240	X340
42	42	X142	X242	X342
44	44	X144	X244	X344
46	46	X146	X246	X346
48	48	X148	X248	X348
50	50	X150	X250	X350
52	52	X152	X252	X352
C 54	54	X154	X254	X354
56	56	X156	X256	X356
58	58	X158	X258	X358
60	60	X160	X260	X360
62	62	X162	X262	X362
64	64	X164	X264	X364
66	66	X166	X266	X366
B 68	68	90130-X168	90130-X268	90130-X368

**NOTES:**

- FOR ASSY SEE SHEET 1.
- FOR PLATING DETAILS SEE SDES-99000-0003

90130 - \* \* \* \*

INDICATES CIRCUIT HOUSING SIZE  
(EXCEPTION ON VOIDED OPTION -  
SEE TABLE FOR HOUSING CIRCUIT SIZE)

PLATING  
1 - TYPE A  
2 - TYPE E  
3 - TYPE F  
4 - TYPE G

STYLE: - STRAIGHT ASSY  
- 1. VERSION FULLY LOADED BLACK  
8. VERSION WITH VOIDS

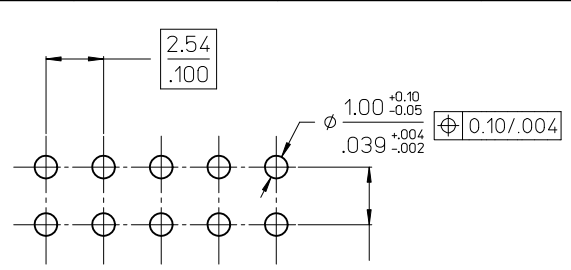
NO OF CKTS	HSG CKT SIZE	VOIDED PART NUMBER	VOID POSITION	PLATING TYPE
11	12	90130-8212	12	E
9	10	90130-8309	2	F
9	10	90130-8311	1	F
11	12	90130-8213	2	E
11	12	90130-8313	2	F

VOIDED OPTION

**VERSION FULLY LOADED**

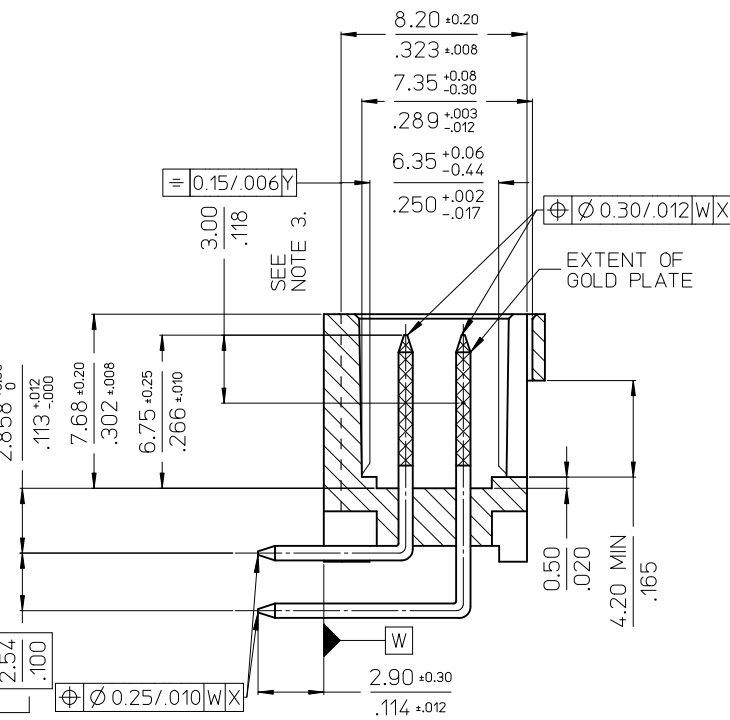
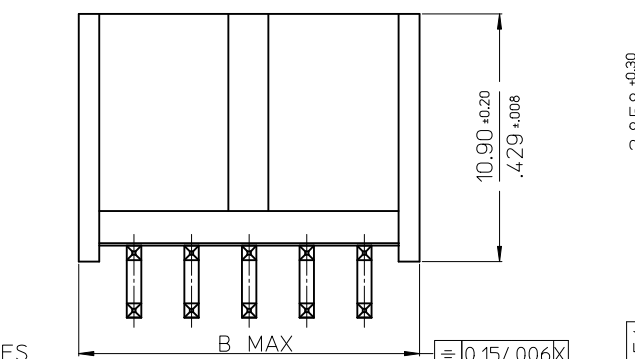
<b>RE-POSITION DIM B</b> EC NO: S2010-0811 DRWN:SKANG 2010/03/25 CHKD:ATSEE 2010/03/31 APPR:MLONG 2010/03/31	QUALITY SYMBOLS	GENERAL TOLERANCES (UNLESS SPECIFIED)	DIMENSION STYLE <b>MM/IN</b>	SCALE <b>NTS</b>	DESIGN UNITS <b>METRIC</b>	THIRD ANGLE PROJECTION																																		
	$\nabla_A=0$ $\nabla_E=0$ $\nabla_F=0$	<table border="1"> <tr><th></th><th>mm</th><th>INCH</th></tr> <tr><td>4 PLACES</td><td>± ---</td><td>± ---</td></tr> <tr><td>3 PLACES</td><td>± ---</td><td>± .004</td></tr> <tr><td>2 PLACES</td><td>± 0.10</td><td>± ---</td></tr> <tr><td>1 PLACE</td><td>± ---</td><td>± ---</td></tr> </table>		mm	INCH	4 PLACES	± ---	± ---	3 PLACES	± ---	± .004	2 PLACES	± 0.10	± ---	1 PLACE	± ---	± ---	<table border="1"> <tr><th colspan="2">DRAWN BY</th><th>DATE</th></tr> <tr><td>KS</td><td></td><td>1988/08/23</td></tr> <tr><th colspan="2">CHECKED BY</th><th>DATE</th></tr> <tr><td>ATSEE</td><td></td><td>2010/02/11</td></tr> <tr><th colspan="2">APPROVED BY</th><th>DATE</th></tr> <tr><td>MLONG</td><td></td><td>2010/02/19</td></tr> </table>	DRAWN BY		DATE	KS		1988/08/23	CHECKED BY		DATE	ATSEE		2010/02/11	APPROVED BY		DATE	MLONG		2010/02/19	<b>C-GRID III DUAL ROW STRAIGHT SHROUDED HEADER</b>			
		mm	INCH																																					
	4 PLACES	± ---	± ---																																					
3 PLACES	± ---	± .004																																						
2 PLACES	± 0.10	± ---																																						
1 PLACE	± ---	± ---																																						
DRAWN BY		DATE																																						
KS		1988/08/23																																						
CHECKED BY		DATE																																						
ATSEE		2010/02/11																																						
APPROVED BY		DATE																																						
MLONG		2010/02/19																																						
DRAFT WHERE APPLICABLE MUST REMAIN WITHIN DIMENSIONS	MATERIAL NO. <b>SEE TABLE</b>	DOCUMENT NO. <b>SDA-90130</b>	<b>MOLEX INCORPORATED</b>																																					
<b>B1</b>	SIZE <b>A3</b>	THIS DRAWING CONTAINS INFORMATION THAT IS PROPRIETARY TO MOLEX INCORPORATED AND SHOULD NOT BE USED WITHOUT WRITTEN PERMISSION																																						

10 9 8 7 6 5 4 3 2 1



RECOMMENDED P.C. BOARD HOLE PATTERN

VERSION FULLY LOADED



HSG CKT SIZE	A	B	C
6	(5.08) .200	(10.34) .407	(7.92) .312
8	(7.62) .300	(12.88) .507	(10.46) .412
10	(10.16) .400	(15.42) .607	(13.00) .512
12	(12.70) .500	(17.96) .707	(15.54) .612
14	(15.24) .600	(20.50) .807	(18.08) .712
16	(17.78) .700	(23.04) .907	(20.62) .812
18	(20.32) .800	(25.58) 1.007	(23.16) .912
20	(22.86) .900	(28.12) 1.107	(25.70) 1.012
22	(25.40) 1.000	(30.66) 1.207	(28.24) 1.112
24	(27.94) 1.100	(33.20) 1.307	(30.78) 1.212
26	(30.48) 1.200	(35.74) 1.407	(33.32) 1.312
28	(33.02)/1.300	(37.90)/1.492	(36.06)/1.420
30	(35.56) 1.400	(40.82) 1.607	(38.40) 1.512
32	(38.10)/1.500	(42.98)/1.692	(41.15)/1.620
34	(40.64) 1.600	(45.90) 1.807	(43.48) 1.712
36	(43.18)/1.700	(48.06)/1.892	(46.22)/1.820
38	(45.72) 1.800	(50.98) 2.007	(48.56) 1.912
40	(48.26) 1.900	(53.52) 2.107	(51.10) 2.012
42	(50.80)/2.000	(55.68)/2.192	(53.84)/2.120
44	(53.34) 2.100	(58.60) 2.307	(56.18) 2.212
46	(55.88)/2.200	(60.76)/2.392	(58.92)/2.320
48	(58.42)/2.300	(63.30)/2.492	(61.46)/2.420
50	(60.96) 2.400	(66.22) 2.607	(63.80) 2.512
52	(63.50)/2.500	(68.38)/2.692	(66.54)/2.620
54	(66.04) 2.600	(71.30) 2.807	(68.88) 2.712
56	(68.58)/2.700	(73.46)/2.892	(71.62)/2.820
58	(71.12)/2.800	(76.00)/2.992	(74.16)/2.920
60	(73.66) 2.900	(78.92) 3.107	(76.50) 3.012
62	(76.20)/3.000	(81.08)/3.192	(79.24)/3.120
64	(78.74) 3.100	(84.00) 3.307	(81.58) 3.212
66	(81.28)/3.200	(86.16)/3.392	(84.32)/3.320
68	(83.82) 3.300	(89.08) 3.507	(86.66) 3.412

NOTES

- MATERIAL:-
  - PIN:- (0.635)/.025 SQ. BRASS WIRE.
  - HOUSING:- 15% GLASS FILLED POLYESTER
  - UL 94 V-0 COLOUR BLACK
- FOR PLATING VERSIONS AND VOID VERSIONS SEE SHEET 2.
- MEASUREMENT POINT FOR MINIMUM PLATING THICKNESS.
- FOR PRODUCT SPEC SEE PS-99020-0001
- RECOMMENDED PCB THICKNESS: 1.6mm

REV	DESCRIPTION
B1	RE-POSITION DIM B

QUALITY SYMBOLS	GENERAL TOLERANCES (UNLESS SPECIFIED)
$F_{\Delta} = 0$	4 PLACES ± --- ± ---
$F_{\square} = 0$	3 PLACES ± --- ± .004
$F_{\circ} = 0$	2 PLACES ± 0.10 ± ---
$F_{\text{P}} = 0$	1 PLACE ± --- ± ---
	ANGULAR ± 1/2°
	DRAFT WHERE APPLICABLE MUST REMAIN WITHIN DIMENSIONS

DIMENSION STYLE		SCALE	DESIGN UNITS	THIRD ANGLE PROJECTION
MM/IN		NTS	METRIC	
DRAWN BY	DATE	TITLE		
KS	1988/08/23	C-GRID III DUAL ROW STRAIGHT SHROUDED HEADER		
CHECKED BY	DATE	MOLEX INCORPORATED		
ATSEE	2010/02/11	SDA-90130		
APPROVED BY	DATE	3 OF 4		
MLONG	2010/02/19			
MATERIAL NO.	DOCUMENT NO.			
SEE TABLE				

SIZE	THIS DRAWING CONTAINS INFORMATION THAT IS PROPRIETARY TO MOLEX INCORPORATED AND SHOULD NOT BE USED WITHOUT WRITTEN PERMISSION	
A3		

9 8 7 6 5 4 3 2 1

NO OF CKTS	HSG CKT SIZE	PART NUMBER		
		PLATING TYPE A	PLATING TYPE E	PLATING TYPE F
F 6	6	90130-X106	90130-X206	90130-X306
8	8	↑ X108	↑ X208	↑ X308
10	10	X110	X210	X310
12	12	X112	X212	X312
14	14	X114	X214	X314
16	16	X116	X216	X316
18	18	X118	X218	X318
20	20	X120	X220	X320
E 22	22	X122	X222	X322
24	24	X124	X224	X324
26	26	X126	X226	X326
28	28	X128	X228	X328
30	30	X130	X230	X330
32	32	X132	X232	X332
34	34	X134	X234	X334
36	36	X136	X236	X336
D 38	38	X138	X238	X338
40	40	X140	X240	X340
42	42	X142	X242	X342
44	44	X144	X244	X344
46	46	X146	X246	X346
48	48	X148	X248	X348
50	50	X150	X250	X350
C 52	52	X152	X252	X352
54	54	X154	X254	X354
56	56	X156	X256	X356
58	58	X158	X258	X358
60	60	X160	X260	X360
62	62	X162	X262	X362
64	64	X164	X264	X364
66	66	↓ X166	↓ X266	↓ X366
B 68	68	90130-X168	90130-X268	90130-X368

**NOTES:**

1. FOR ASSY SEE SHEET 3.
2. FOR PLATING DETAILS SEE SDES-99000-0003



**VERSION FULLY LOADED**

<b>RE-POSITION DIM B</b> EC NO: S2010-0811 DRWN:SKANG 2010/03/25 CHKD:ATSEE 2010/03/31 APPR:MLONG 2010/03/31	DESCRIPTION REV	QUALITY SYMBOLS	GENERAL TOLERANCES (UNLESS SPECIFIED)	DIMENSION STYLE	SCALE	DESIGN UNITS	THIRD ANGLE PROJECTION																										
		$\nabla_A = 0$ $\nabla_E = 0$ $\nabla_F = 0$	<table border="1"> <tr><th colspan="2">mm</th><th>INCH</th></tr> <tr><td>4 PLACES</td><td>± ---</td><td>± ---</td></tr> <tr><td>3 PLACES</td><td>± ---</td><td>± .004</td></tr> <tr><td>2 PLACES</td><td>± 0.10</td><td>± ---</td></tr> <tr><td>1 PLACE</td><td>± ---</td><td>± ---</td></tr> </table>	mm		INCH	4 PLACES	± ---	± ---	3 PLACES	± ---	± .004	2 PLACES	± 0.10	± ---	1 PLACE	± ---	± ---	MM/IN	NTS	METRIC												
		mm		INCH																													
		4 PLACES	± ---	± ---																													
3 PLACES	± ---	± .004																															
2 PLACES	± 0.10	± ---																															
1 PLACE	± ---	± ---																															
<table border="1"> <tr><td colspan="2">DRAWN BY</td><td>DATE</td></tr> <tr><td>KS</td><td colspan="2">1988/08/23</td></tr> <tr><td colspan="2">CHECKED BY</td><td>DATE</td></tr> <tr><td>ATSEE</td><td colspan="2">2010/02/11</td></tr> <tr><td colspan="2">APPROVED BY</td><td>DATE</td></tr> <tr><td>MLONG</td><td colspan="2">2010/02/19</td></tr> </table>	DRAWN BY		DATE	KS	1988/08/23		CHECKED BY		DATE	ATSEE	2010/02/11		APPROVED BY		DATE	MLONG	2010/02/19		ANGULAR ±1/2°	<table border="1"> <tr><td colspan="2">MATERIAL NO.</td><td>DOCUMENT NO.</td></tr> <tr><td colspan="2">SEE TABLE</td><td>SDA-90130</td></tr> </table>	MATERIAL NO.		DOCUMENT NO.	SEE TABLE		SDA-90130	<table border="1"> <tr><td colspan="2">TITLE</td></tr> <tr><td colspan="2">C-GRID III DUAL ROW STRAIGHT SHROUDED HEADER</td></tr> <tr><td colspan="2">MOLEX INCORPORATED</td></tr> </table>	TITLE		C-GRID III DUAL ROW STRAIGHT SHROUDED HEADER		MOLEX INCORPORATED	
DRAWN BY		DATE																															
KS	1988/08/23																																
CHECKED BY		DATE																															
ATSEE	2010/02/11																																
APPROVED BY		DATE																															
MLONG	2010/02/19																																
MATERIAL NO.		DOCUMENT NO.																															
SEE TABLE		SDA-90130																															
TITLE																																	
C-GRID III DUAL ROW STRAIGHT SHROUDED HEADER																																	
MOLEX INCORPORATED																																	
<table border="1"> <tr><td colspan="2">DRAFT WHERE APPLICABLE MUST REMAIN WITHIN DIMENSIONS</td></tr> <tr><td>SIZE</td><td>THIS DRAWING CONTAINS INFORMATION THAT IS PROPRIETARY TO MOLEX INCORPORATED AND SHOULD NOT BE USED WITHOUT WRITTEN PERMISSION</td></tr> </table>	DRAFT WHERE APPLICABLE MUST REMAIN WITHIN DIMENSIONS		SIZE	THIS DRAWING CONTAINS INFORMATION THAT IS PROPRIETARY TO MOLEX INCORPORATED AND SHOULD NOT BE USED WITHOUT WRITTEN PERMISSION	<table border="1"> <tr><td colspan="2">SHEET NO.</td></tr> <tr><td colspan="2">4 OF 4</td></tr> </table>	SHEET NO.		4 OF 4																									
DRAFT WHERE APPLICABLE MUST REMAIN WITHIN DIMENSIONS																																	
SIZE	THIS DRAWING CONTAINS INFORMATION THAT IS PROPRIETARY TO MOLEX INCORPORATED AND SHOULD NOT BE USED WITHOUT WRITTEN PERMISSION																																
SHEET NO.																																	
4 OF 4																																	

NO OF CKTS	HSG CKT SIZE	PART NUMBER		
		PLATING TYPE A	PLATING TYPE E	PLATING TYPE F
6	6	90130-X106	90130-X206	90130-X306
8	8	X108	X208	X308
10	10	X110	X210	X310
12	12	X112	X212	X312
14	14	X114	X214	X314
16	16	X116	X216	X316
18	18	X118	X218	X318
20	20	X120	X220	X320
22	22	X122	X222	X322
24	24	X124	X224	X324
26	26	X126	X226	X326
28	28	X128	X228	X328
30	30	X130	X230	X330
32	32	X132	X232	X332
34	34	X134	X234	X334
36	36	X136	X236	X336
38	38	X138	X238	X338
40	40	X140	X240	X340
42	42	X142	X242	X342
44	44	X144	X244	X344
46	46	X146	X246	X346
48	48	X148	X248	X348
50	50	X150	X250	X350
52	52	X152	X252	X352
54	54	X154	X254	X354
56	56	X156	X256	X356
58	58	X158	X258	X358
60	60	X160	X260	X360
62	62	X162	X262	X362
64	64	X164	X264	X364
66	66	X166	X266	X366
68	68	90130-X168	90130-X268	90130-X368

NO OF CKTS	HSG CKT SIZE	VOIDED PART NUMBER	VOID POSITION	PLATING TYPE
11	12	90130-8212	12	E
9	10	90130-8309	2	F
9	10	90130-8311	1	F
11	12	90130-8213	2	E
11	12	90130-8313	2	F

VOIDED OPTION

**NOTES:**

- FOR ASSY SEE SHEET 1.
- FOR PLATING DETAILS SEE SDES-99000-0003

90130 - \* \* \* \* \*

INDICATES CIRCUIT HOUSING SIZE  
(EXCEPTION ON VOIDED OPTION -  
SEE TABLE FOR HOUSING CIRCUIT SIZE)

PLATING  
1 - TYPE A  
2 - TYPE E  
3 - TYPE F  
4 - TYPE G

STYLE\* - STRAIGHT ASSY  
- 1. VERSION FULLY LOADED BLACK  
8. VERSION WITH VOIDS

VERSION FULLY LOADED

Changed 8212 to void 2 EC NO: E2010-0123 DRWN: BMAGUIRE 2009/10/15 CHKD: 2009/10/15 APPR: BMAGUIRE 2009/10/15	QUALITY SYMBOLS	GENERAL TOLERANCES (UNLESS SPECIFIED)	DIMENSION STYLE	SCALE	DESIGN UNITS	THIRD ANGLE PROJECTION															
	$\nabla=0$ $\nabla=0$	<table border="1"> <tr><th colspan="2">mm</th><th>INCH</th></tr> <tr><td>4 PLACES</td><td>±----</td><td>±----</td></tr> <tr><td>3 PLACES</td><td>±----</td><td>±----</td></tr> <tr><td>2 PLACES</td><td>±----</td><td>±----</td></tr> <tr><td>1 PLACE</td><td>±----</td><td>±----</td></tr> </table>	mm		INCH	4 PLACES	±----	±----	3 PLACES	±----	±----	2 PLACES	±----	±----	1 PLACE	±----	±----	MM ONLY	1:1	METRIC	
	mm		INCH																		
	4 PLACES	±----	±----																		
3 PLACES	±----	±----																			
2 PLACES	±----	±----																			
1 PLACE	±----	±----																			
DESCRIPTION	DRAFT WHERE APPLICABLE MUST REMAIN WITHIN DIMENSIONS	DRAWN BY: KS DATE: 1987/09/10 CHECKED BY: _____ DATE: _____ APPROVED BY: _____ DATE: _____	TITLE	C-GRID III DUAL ROW STRAIGHT SHROUDED HEADER																	
REV		SEE CHART	MATERIAL NO.	DOCUMENT NO.	MOLEX INCORPORATED																
			SIZE	THIS DRAWING CONTAINS INFORMATION THAT IS PROPRIETARY TO MOLEX INCORPORATED AND SHOULD NOT BE USED WITHOUT WRITTEN PERMISSION																	
						SHEET NO. 2 OF 4															